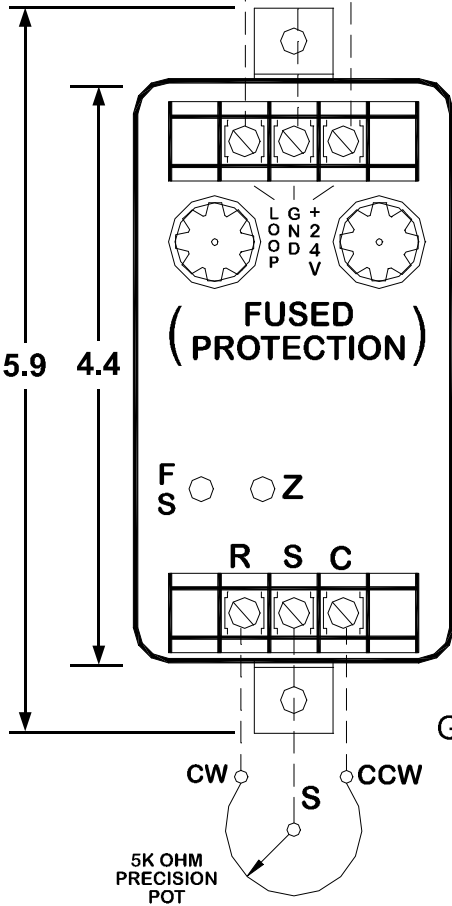
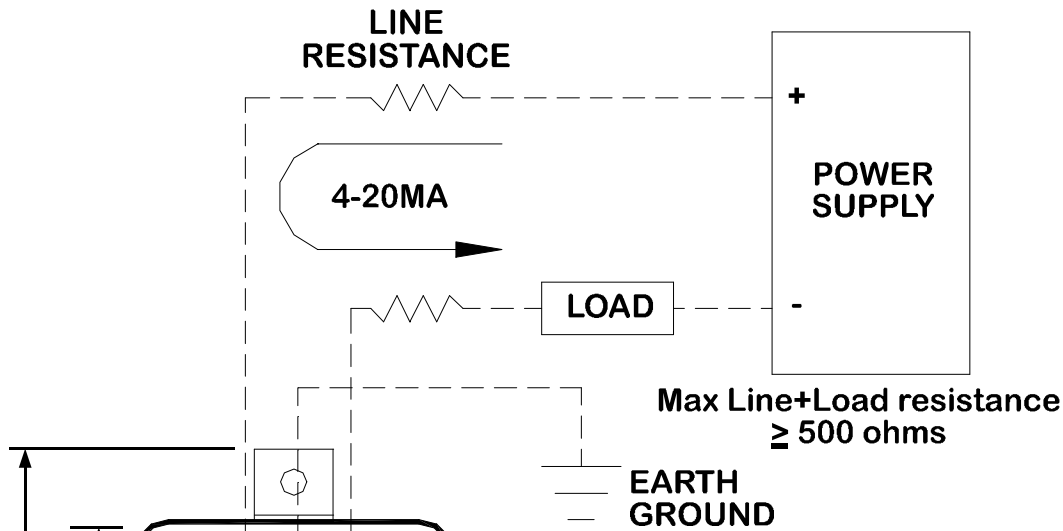




Potentiometer Position to 4-20ma Current Converter P/N 73-028



Description

The Potentiometer Position to Current Converter is a loop powered unit that converts a 5K Ohm pot position to a 4-20 ma current. The loop voltage must be 18 to 24 VDC. The line side of the converter is protected with a gas tube, 26 volt zener diodes, and two 1/4 amp fuses. Aluminum Enclosure
 Physical size: 2.4" x 4.4" x 2.0" high
 Overall dim: 2.4" x 5.9"

