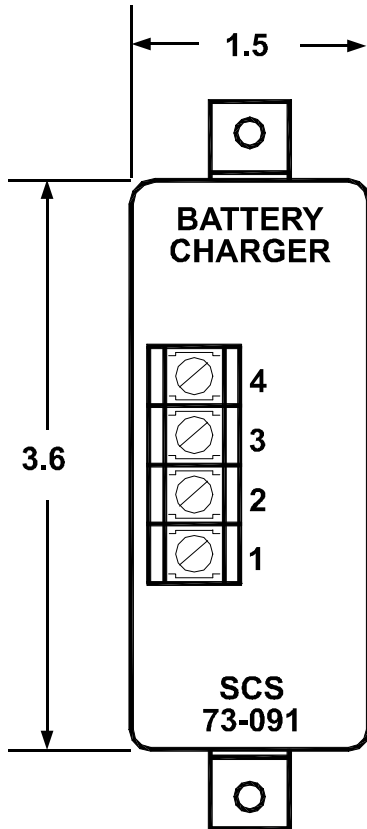




**BATTERY CHARGER
P/N 73-091**



Description

The Battery Charger provides diode protection for a DC power source used as a constant trickle charger for a backup battery. An internal current-limiting resistor protects the DC source when it connected to a severely discharged battery. The current-limiting resistor is bypassed by a second diode so that the battery can supply design system current if needed on a backup basis.

Features

- Input - 10 to 15 VDC
- Output - power supply/battery voltage - .5v diode drop
- max current :3Amp

Block Diagram

